

# MIC 25W LED DOWN LIGHT

LIGHT THE WORLD



ITEM No.: MDL-8C30

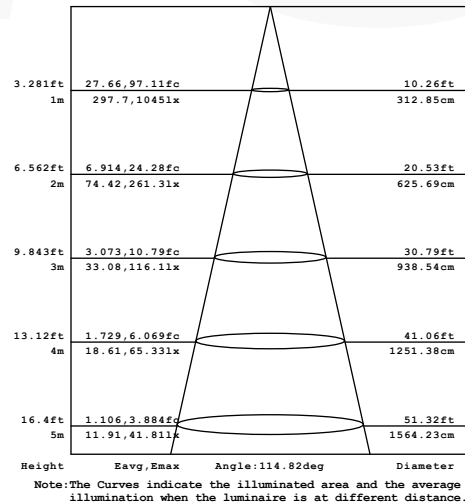
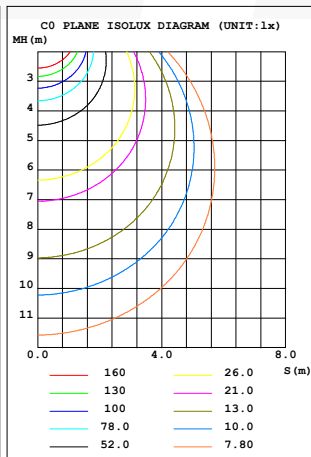
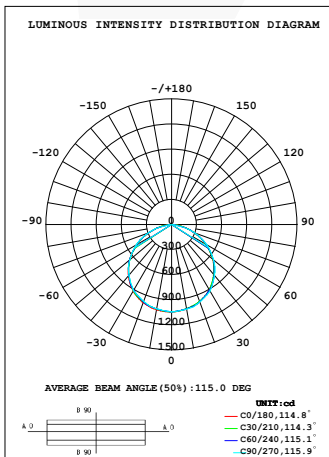
## Electrical Specifications

- **Led Power** 25 w
- **IP Grade** IP54
- **Input Voltage** AC85-265V(50-60Hz)
- **Operating Temperature** -40°C to +50°C
- **Driver Brand** 0-10v & Dali optional
- **Power Factor (PF)** >0.95
- **Certification** CE,ROHS,TUV,FCC,SA

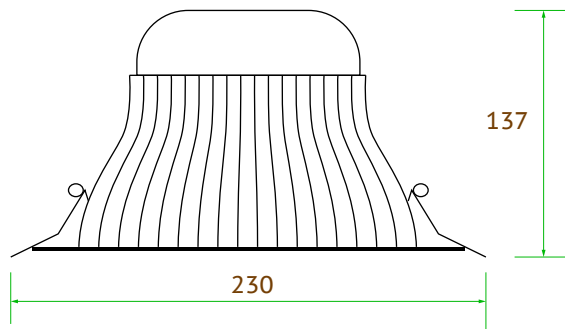
## Photometric & Packing Specifications

- **Led Lamp** COB Epistar chip
- **Lumen Output** >9900LM
- **Led Quantity** 90lm/w
- **Bame Angle** 45°
- **CCT** 50000hrs
- **CRI** 2700K~6500K
- >80
- **Shell Color** white frame and black heat sink
- **Galss Type** Clear cover
- **Material** Die-casting Aluminum
- **Weight** 0.5kg
- **Product size** Dia 230\*137mm
- **Cutout size** Dia 195mm
- **Package** 250\*250\*150mm/pc

## Spectrum



## Product size



## Application



## Product features

- 1, Diecasting led house with excellent heat dissipation ability.
- 2, No-Flicker, anti-electromagnetic interference.
- 3, COB or SMD led branded led used, with high luminous flux.
- 4, High Quality Acrylic as the light guide panel, high transmittance rate: >90%; No hot/black spot.
- 5, Pure, oxidized aluminum (Back cover) helps to dissipate the heat.
- 6, 0-10v or dali dimmable optional.